

XL6008 DEMO board manual

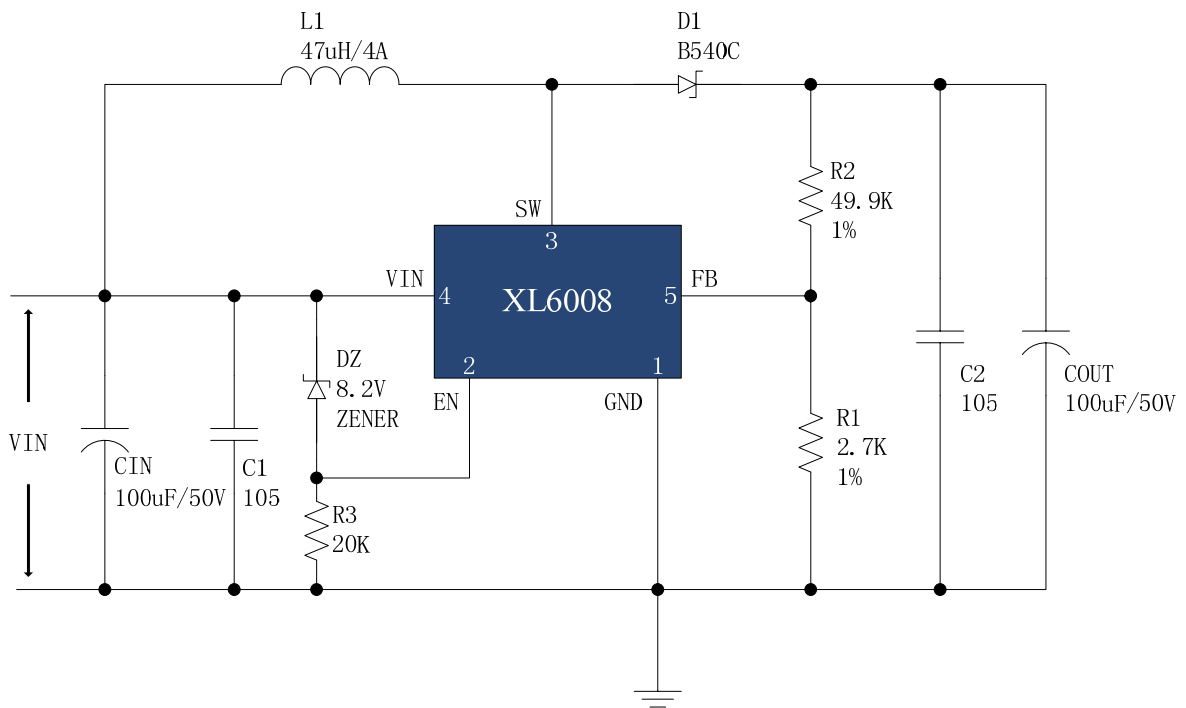
1.0

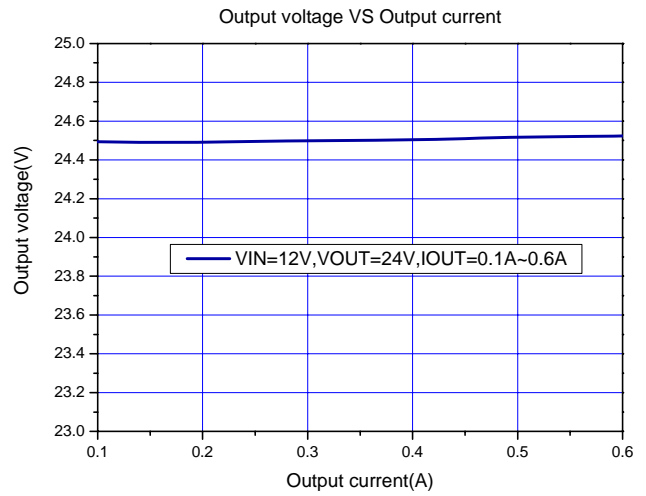
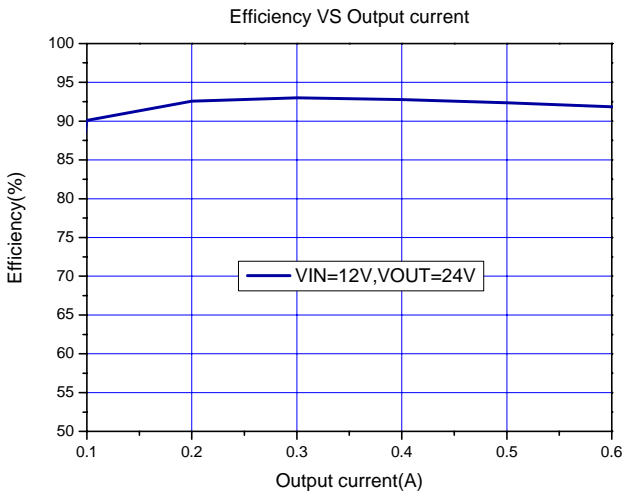
1

3

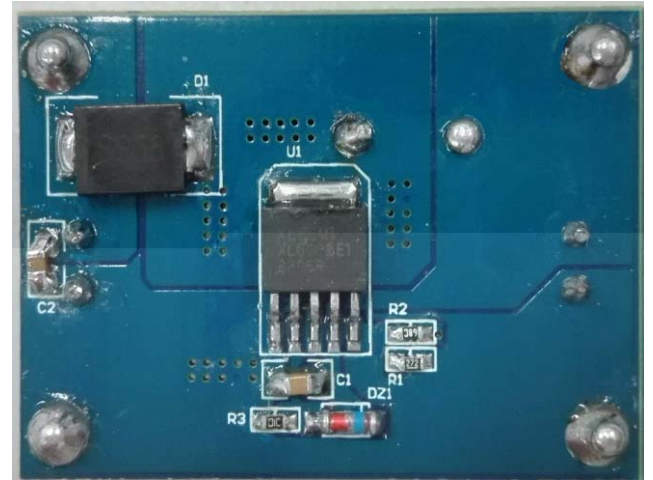
122007A01	XL6008	DC10~22V	24V	0.6A
	93%			
XL6008	DC-DC	400KHz		
		60V		SW
XL6008	TO252-5L			

DEMO

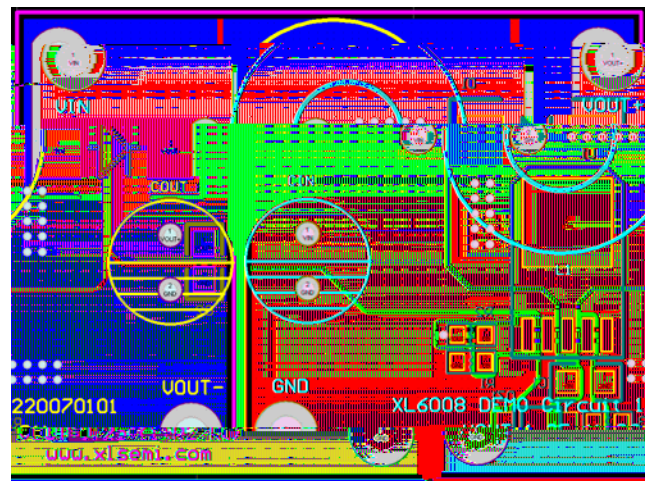
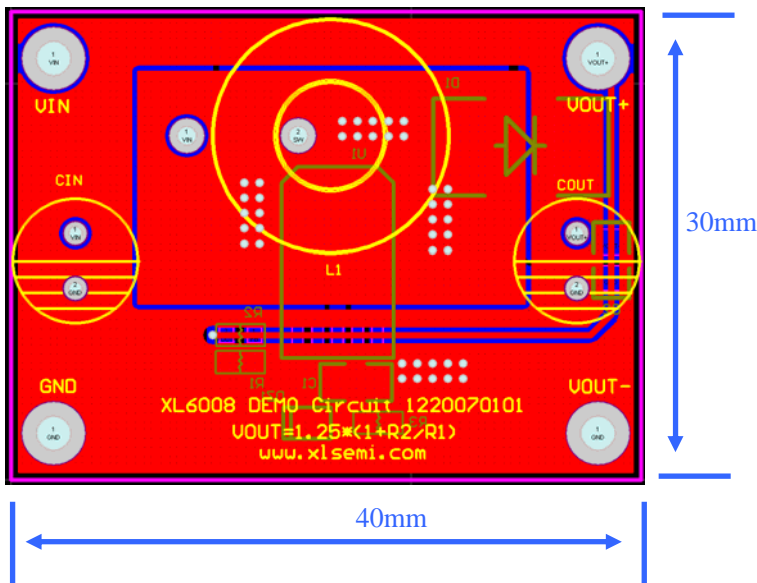




DEMO



PCB



PCB

1. VIN GND SW VOUT
2. FB
3. VIN GND